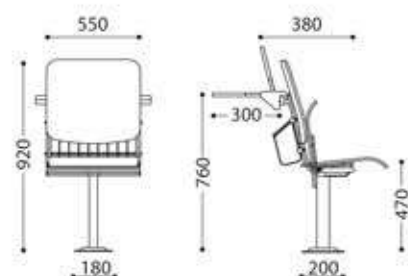


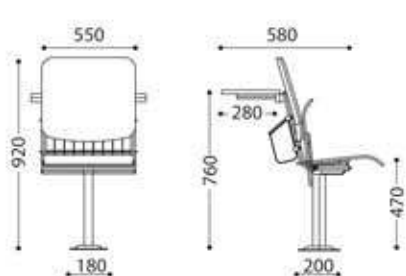
COLLEGE

all rights reserved

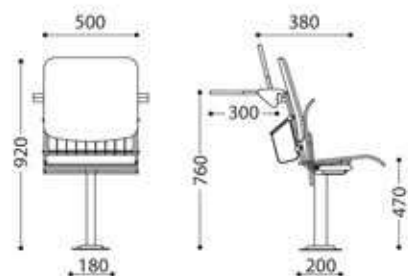
This specialist chair has been designed for conference rooms, conference and training facilities and has been already installed in the Kielce College of Economics and Administration, the Wrocław Polytechnics and the College of Economics and Administration in Bielsko-Biala. The College chair is produced in compliance with the PN EN 12 727 standard.



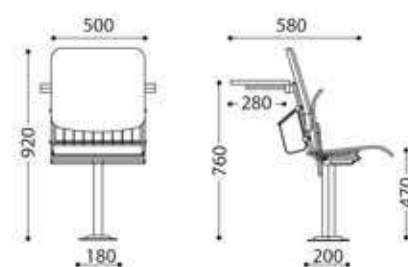
College chair with a folding writing top
measurements in mm



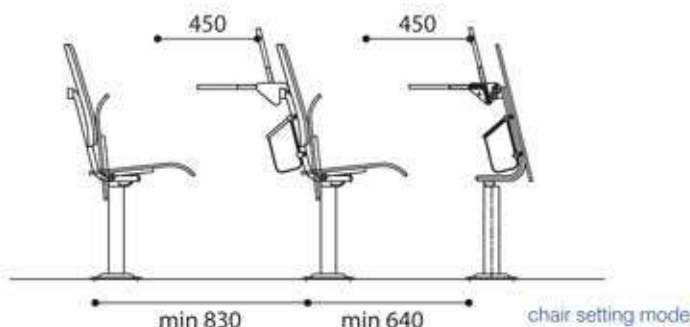
College FD chair with a fixed writing top
measurements in mm



College 2 chair with a folding writing top
measurements in mm



College 2 FD chair with a fixed writing top
measurements in mm



APPLICATION:

Auditoria with flat or stair floors with the possibility of forming chair rows of any length and number, straight or semi-circular.

ATTENTION!

The standard version allows for fixing the chairs to steps with maximum height of 30 cm. Higher steps require a modification in chair construction.

The solutions shown are examples of possible installations. All orders are made to suit individual needs and requirements as far as it is technically possible.

FEATURES AND FUNCTIONS:



COLLEGE - front panel made of plywood with an optional folding writing top and basket to be placed on the inside.

TECHNICAL DESCRIPTION:

Maximum user weight 150 kg
Single chair weight 14,5 kg

CERTIFICATES:

Durability certificate determining safety of use issued by the Furniture Industry Research and Implementation Institute Remodex.
Hygiene certificate issued by the Medical University of Gdańsk.
Flammability classification regarding upholstered furniture issued by the Construction Technology Institute in Warsaw.
Non-toxic product: PN-88/B-02855.



Optional basket for a briefcase and smaller belongings, optional fixed or folding writing top.

PRODUCT INFORMATION



COLLEGE SEAT PLUS – moulded seat made of 7 layer beech plywood, backrest made of 8 layer plywood, soft upholstered seat in the SEAT PLUS version.



COLLEGE PLUS – soft upholstered seat and backrest in the PLUS version automatically folding seat.



Setting possible in straight or semi-circular rows.



Base with holes for fixing to the floor.

FINISHES:

WOOD finishes

made of plywood and also of solid, stained and lacquered beech wood



1.007 Beech 1.010 Orange 1.016 Mahogany 1.008 Cognac 1.031 Dark walnut 1.033 Wenge

REMBRANDT upholstery

100% polyefin fabric with the European flammability certificate

No EN 1021-1:1999 determining resistance against a burning cigarette. Abrasion resistance of 40 000 cycles Martindale.



R030 R036 R022 R07 R061 R065 R09 R034 R013



R031 R066 R023 R011

LUCY upholstery

100% polyester fabric with the European flammability certificates No EN 1021-1:1999 and EN 1021-2:1994 determining resistance of the fabric against a burning cigarette and match flame. Abrasion resistance of 50 000 cycles Martindale.



LC 131 LC 088 LC 130 LC 027 LC 132 LC 092 LC 046 LC 047 LC 045



LC 004 LC 026 LC 009

The colours of finishing material printed in the catalogue may slightly differ from actual colours.

Customized colours available. The size of the order and the time of delivery to be confirmed individually.

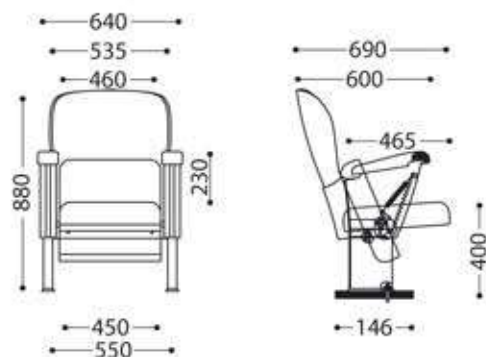
OSCAR

all rights reserved

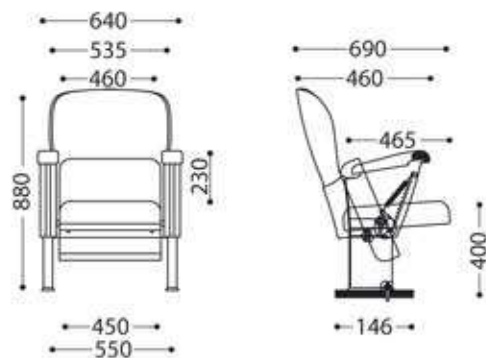
This elegant armchair has been designed for cinemas, theatres, operas, lecturing halls, conference rooms and cultural centres. Produced in compliance with the EN12 727 standard, it has been used in the Silesian Polytechnics in Gliwice, the Licheń Sanctuary and the "Sokół" cinema in Trzebinia.



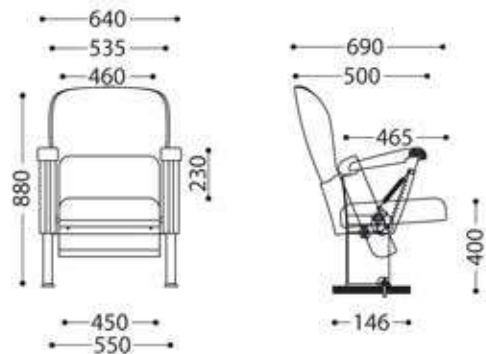
The 100th anniversary hall in Sopot



Oscar armchair
measurements in mm



Oscar NEW armchair
measurements in mm



Oscar W armchair
measurements in mm

AVAILABLE VARIATIONS:

- Oscar 01 – the back part of the backrest made of plywood
- Oscar 02 – upholstered back part of the backrest
- Oscar 03 – the top back part of the backrest made of plywood, the bottom back part covered in plastic
- Oscar 04 – upholstered top back part of the backrest, the bottom back part covered in plastic

EXTRAS (available as an option):

- Row and chair numbers
- Folding writing tops
- Headrests

APPLICATION:

Cinemas and auditoria with flat or stair floors with the possibility of forming chair rows of any length and number. We realize orders for customized designs within the technologies we use.

ATTENTION!

The standard version allows for fixing the chairs to steps with maximum height of 30 cm. Higher steps require a modification in chair construction.

The solutions shown are examples of possible installations. All orders are made to suit individual needs and requirements as far as it is technically possible.

TECHNICAL DESCRIPTION:

- Maximum user weight 150 kg
- Single chair weight 26 kg, each adjacent chair + 19 kg

CERTIFICATES:

Durability certificate issued by the Furniture Industry Research and Implementation Institute Remodex.
Flammability classification regarding upholstered furniture issued by the Construction Technology Institute in Warsaw.
The chair has sound absorbing properties in compliance with the PN-EN 20354-2000 standard, confirmed by the faculty of mechanics and vibroacoustics of Academy of Mining and Metallurgy (AGH) Krakow.
Non-toxic product; PN-88/B-02855.

FEATURES AND FUNCTIONS:



Backrest of armchair made of moulded plywood covered with injected foam.



Top back part of backrest made of moulded plywood, optional plastic casing for bottom back part.



Armrests of solid wood, in standard version common for adjacent chairs.



Optional folding writing top.



Setting possible in straight or semi-circular rows.



Durable steel frame.

FINISHES:

WOOD finishes

made of plywood and also of solid, stained and lacquered beech wood



1.007 Beech 1.010 Orange 1.016 Mahogany 1.008 Cognac 1.031 Dark walnut 1.033 Wenge

VIOLETTA upholstery

100% polyester fabric Trevira CS, European flammability certificates:

1st class, F – M1 certificate, D – B1 DIN 4102 class.

Abrasion resistance of 26 000 cycles Martindale.



617826 Bordeaux/Nero 617821 Blue/Royal 617823 Verde/Nero VS 533 Orange VS 926 Muleta VS 930 Cedre VS 895 Saphir VS 877 Eclipse VS 549 Noir

The colours of finishing material printed in the catalogue may slightly differ from actual colours.

Customized colours available. The size of the order and the time of delivery to be confirmed individually.

VISION

all rights reserved

This specialist chair has been designed for lecturing halls, conference and training facilities and used with great success in the Krakow University College, the Wroclaw Polytechnics and the Toruń Media College. The Vision chair is produced in compliance with the PN EN 12 727 standard.

APPLICATION:

Auditoria with flat or stair floors with the possibility of forming chair rows of any length and number.

ATTENTION!

The standard version allows for fixing the chairs to steps with maximum height of 30 cm. Higher steps require a modification in chair construction.

The solutions shown are examples of possible installations. All orders are made to suit individual needs and requirements as far as it is technically possible.

TECHNICAL DESCRIPTION:

Maximum user weight 150 kg

Single chair weight 18,5 kg, each adjacent chair + 15,5 kg

CERTIFICATES:

Durability certificate No 100/04/w issued by the Furniture Industry Research and Implementation Institute. Report No 22/2003 on hygienic tests of the elements.
Flammability classification regarding upholstered furniture issued by the Construction Technology Institute in Warsaw.
Non-toxic product: PN-88/B-02855.

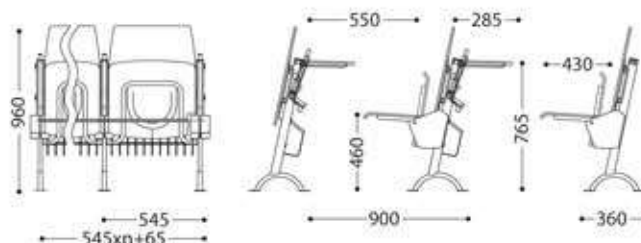
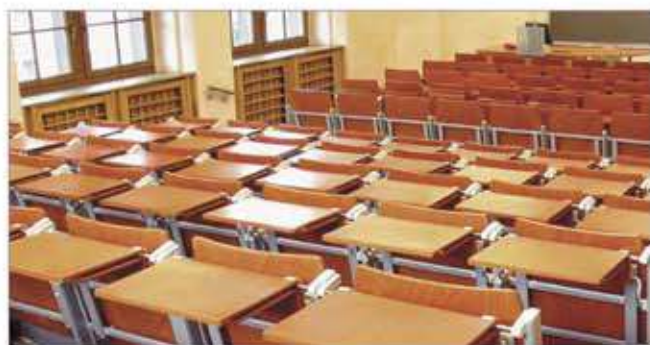
AWARDS:

The chair has been awarded the "Golden Medal at the Poznań International Fair 2005".

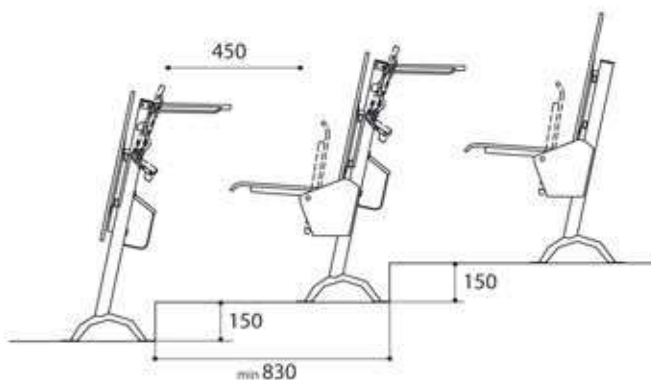
FEATURES AND FUNCTIONS:



Moulded seat and backrest formed out of 8 layer beech plywood automatically folding seat with "quiet folding" function.



Vision armchair
measurements in mm



Vision armchair
chair setting mode



Front panel made of 7 layer plywood, with an optional folding writing top and basket to be placed inside.

PRODUCT INFORMATION



Folding writing top with an "anti-panic" mechanism; handy grip for easy opening and closing of the top.



Soft upholstered seats and backrests in PLUS version.



Optional basket for a briefcase and small belongings.



Durable base with holes for fixing to the floor.

FINISHES:

WOOD finishes

made of plywood and also of solid, stained and lacquered beech wood



1.007 Beech **1.010** Orange **1.016** Mahogany **1.008** Cognac **1.031** Dark walnut **1.033** Wenge

REMBRANDT upholstery

100% polyolefin fabric with the European flammability certificate

No EN 1021-1:1999 determining resistance against a burning cigarette. Abrasion resistance of 40 000 cycles Martindale.



R030 **R036** **R022** **R07** **R061** **R065** **R09** **R034** **R013**



R031 **R066** **R023** **R011**

LUCY upholstery

100% polyester fabric with the European flammability certificates No EN 1021-1:1999 and EN 1021-2:1994 determining resistance of the fabric against a burning cigarette and match flame. Abrasion resistance of 50 000 cycles Martindale.



LC131 **LC088** **LC130** **LC027** **LC132** **LC092** **LC046** **LC047** **LC045**



LC004 **LC026** **LC009**

The colours of finishing material printed in the catalogue may slightly differ from actual colours.

Customized colours available. The size of the order and the time of delivery to be confirmed individually.